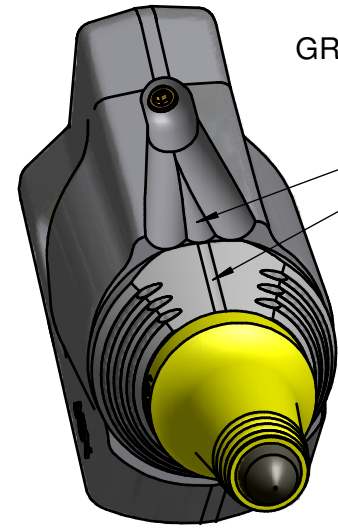
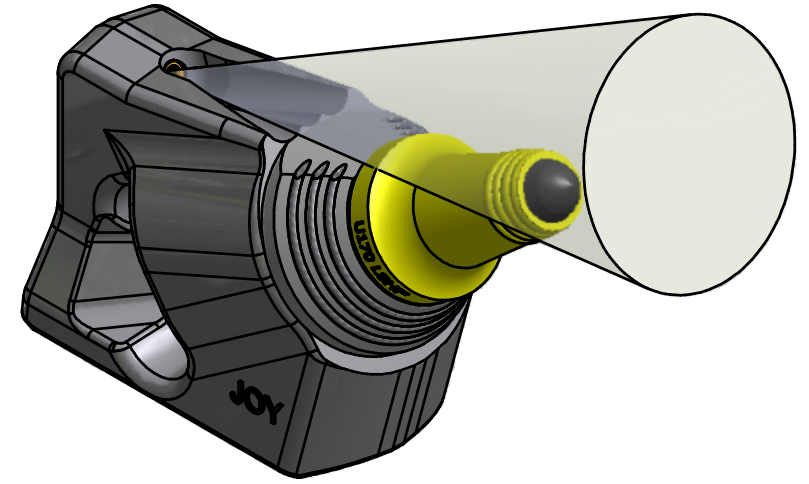
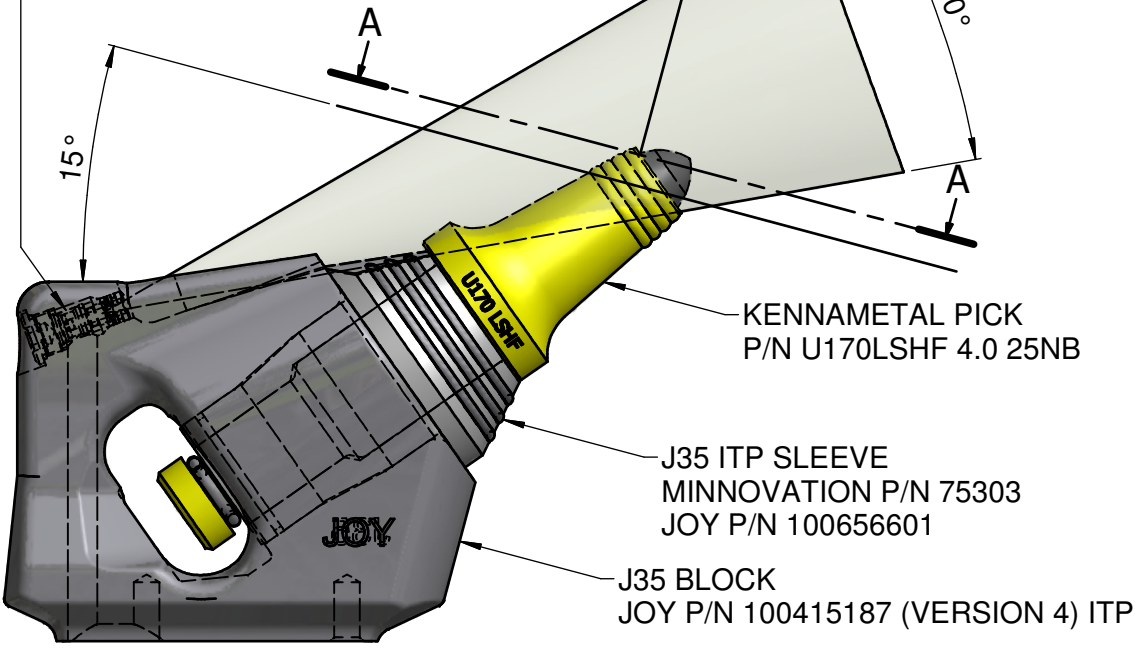


GROOVE ON SLEEVE ELIPSE
MUST LINE UP WITH CENTRE
GROOVE ON BLOCK SPRAY CHANNEL



J35 DOUBLE ENTRY SPRAY
MINNOVATION P/N 75276/12
JOY P/N 100637703



THIS DRAWING REMAINS THE PROPERTY OF MINNOVATION LIMITED AND MUST NOT BE REPRODUCED, COPIED OR SHARED WITH A THIRD PARTY WITHOUT THE WRITTEN PERMISSION OF THE OWNER

© MINNOVATION LIMITED SHEET 1 / 1

A	G.Parrott	26/04/2013	First Issue								
REV	REV BY	DATE	REV NO.	REV	REV BY	DATE	REV NO.	REV	REV BY	DATE	REV NO.

TITLE ITP APPROVAL DRAWING FOR JOY J35 BLOCK AND KENNAMETAL U170LSHF 4.0 25NB		
DRAWN BY	G.Parrott	CHKD BY
DATE	26/04/2013	DATE

MINNOVATION LTD
 Cliff Hill Works
 Balne Lane
 Wakefield WF2 0DF
 Tel: +44 (0) 1924 215315
 Fax: +44 (0) 1924 215316
 Email: sales@minnovation.co.uk

1984-2004
20 YEARS

Reg. No. 1226873 England
VAT No. GB 404755166

**DO NOT SCALE DRAWING
IF IN DOUBT ASK**

DRG NO. **S51396** REV **A**